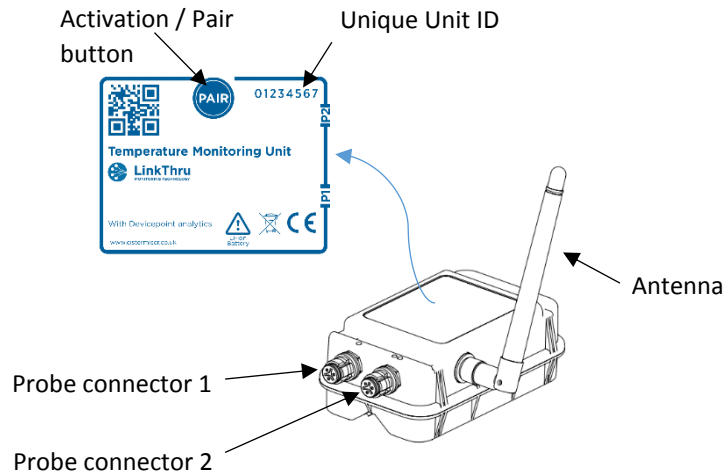
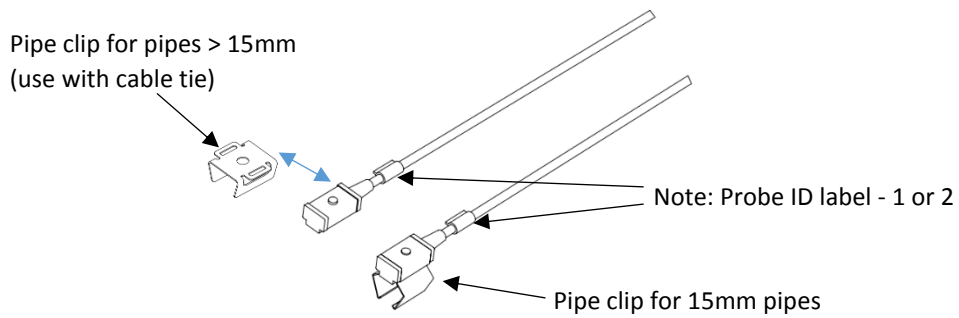


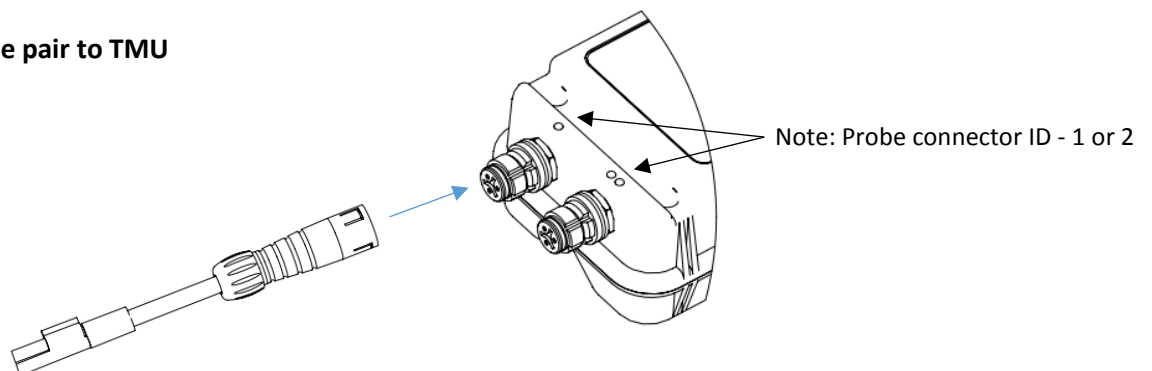
HOW TO... ATTACH PROBES



Fit the correct pipe clip to suit installation

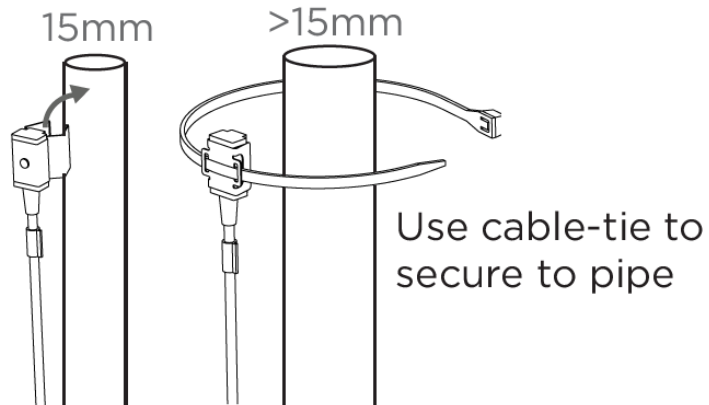


Attach probe pair to TMU



Attach probe to pipe

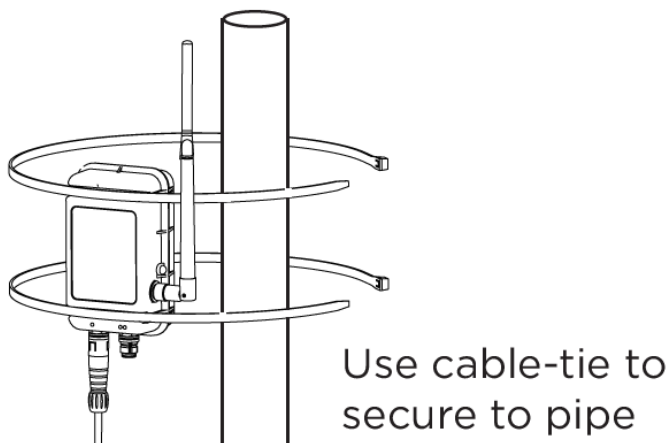
- Cut back any insulation
- Ensure pipe is clean
- Securely fit probe to pipe



Note!

For accurate readings attach to copper pipe

The TMU can be mounted on the cold water pipe with the large tie-wraps or on a flat surface with the double sided foam tape:



Before attaching the sensors in LinkThru the building hierarchy and a device point must be created:

Attach Probes to LinkThru

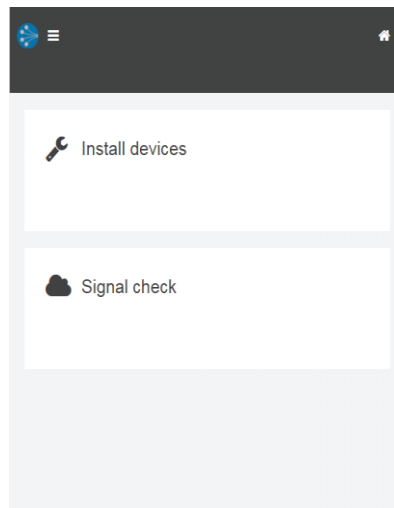
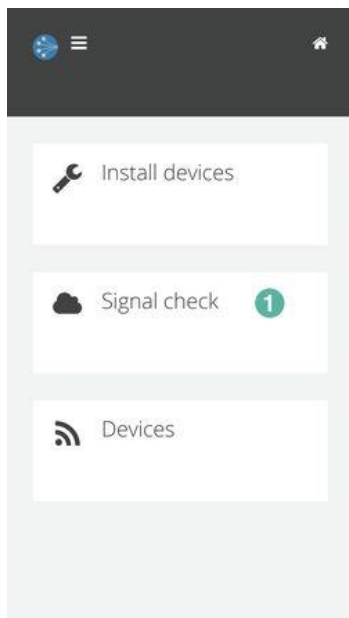
The building hierarchy and device point must first be created on your LinkThru dashboard (see “How to... Create Hierarchy”).

The installation app will aid the process of assigning devices to specific device points.

Access the installation app using a web browser on your mobile or tablet via the following url:

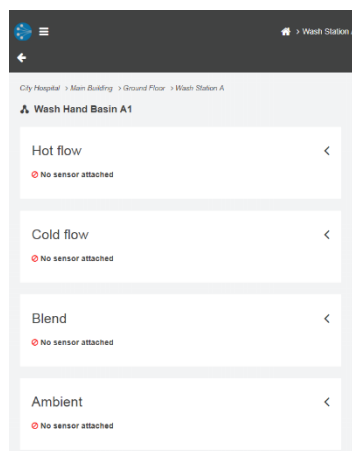
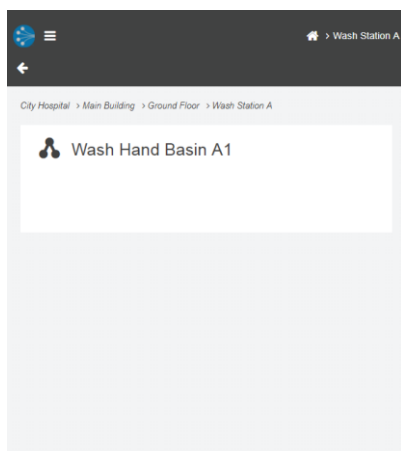
<http://linkthru.devicepoint.co.uk/dp/hw-install>

Then follow these steps:



1. Login with your username & password

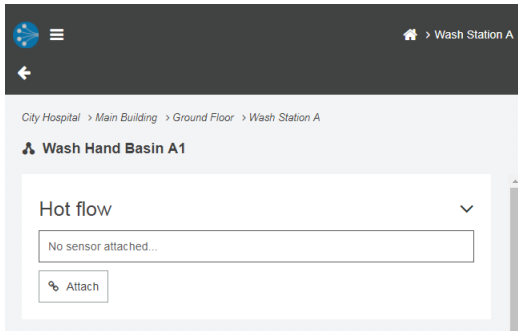
2. Select Install devices



3. Navigate your building hierarchy and select the device point location

4. Select the device point to show the various options for attaching the probes

5. Select the appropriate option for the TMU location and attach



6. Enter the TMU unique ID number (found on front of unit)

7. Select the relevant probe (1.1, 1.2, 2.1 or 2.2) as physically attached to the TMU via the connector ports

8. You have now successfully attached the probe to the location